



SYSTEM CONTROL Interface



Model **MAC-333IF-E**

[FOR INSTALLER]

INSTALLATION MANUAL

English

Contents

1. Safety Instructions	2	8. Connecting with M-NET system	6
2. Before Installation	3	9. Connecting with MA remote controller (Using MA remote controller)	7
3. Function and electric wiring of interface each part	3	10. Remote Control	7
4. Dip Switch Details	4	11. Setting Signal Output	8
5. Parts	4	12. Turn on/off with power	9
6. Connecting the SYSTEM CONTROL Interface to a room air conditioner	5	13. Interface status monitor	9
7. Connecting the SYSTEM CONTROL Interface with each system (For details on each system, see the relevant instruction manual.)	5	14. Mounting the SYSTEM CONTROL Interface Unit	10
		15. Notes Regarding Use	10
		16. Specifications	10

About SYSTEM CONTROL Interface

- Some room air conditioners cannot be attached to the interface.
Please make sure the room air conditioner can be used before attempting to attach it.

1. Safety Instructions

- Read all Safety Instructions before using this device.
- This manual contains important safety information.
Be sure to comply with the instructions.
- After installing the interface, provide this Installation Manual to the user. Instruct users to store their room air conditioner Instruction Manual and Warranty in a safe location.

WARNING

(Improper handling may have serious consequences, including serious injury or death.)

- **Users should not install the Interface on their own.**
Improper installation may result in fire, electric shock, or damage/water leaks if the Interface unit falls. Consult the dealer from whom you purchased the unit or professional installer.
- **The Interface should be securely installed in accordance with the enclosed Installation Instructions.**
Improper installation may result in fire, electric shock, or damage if the Interface unit falls.
- **The unit should be mounted in a location that can support its weight.**
If installed in an area that cannot support the unit, the Interface unit could fall and cause damage.
- **Mount so wiring external force and stress are not transmitted at the terminal connection.**
Improper connection and mounting may result in breaking, heat generation, smoke generation, or fire.
- **Securely attach the cover to the Interface unit.**
If the cover of the Interface unit is not securely attached, dust or water penetration could occur, resulting in a fire or electric shock.
- **The Interface unit should not be connected to the AC power cable.**
Connecting greater than the rated voltage may result in damage or fire.
- **Mitsubishi components or other designated components must be used for installation.**
Improper component may result in fire, electric shock, or damage/water leaks if the Interface unit falls.
- **Electric work must be performed by authorized personnel according to the local regulations and the instructions detailed in the installation manual.**
Inadequate circuit capacity or improper installation may result in electric shock or fire.
- **This appliance is not intended for use by persons (including children) with reduced physical, sensory or mental capabilities, or lack of experience and knowledge, unless they have been given supervision or instruction concerning use of the appliance by a person responsible for their safety.**
- **Children should be supervised to ensure that they do not play with the appliances.**
- **This device complies with part 15 of the FCC Rules. Operation is subject to the following two conditions:**
(1) This device may not cause harmful interference, and (2) this device must accept any interference received, including interference that may cause undesired operation.
- **This Class B digital apparatus complies with Canadian ICES-003.**
Cet appareil numérique de la classe B est conforme à la norme NMB-003 du Canada.

CAUTION

(Improper handling may have consequences, including injury or damage to house.)

- **To prevent damage from static electricity, touch a nearby metal body to discharge static electricity before touching the Interface unit.**
Static electricity from the human body may damage the Interface unit.
- **Do not install the Interface unit in a place with much steam, such as bathroom.**
Avoid places where water is splashed or where condensation forms on walls. Installing in such places can cause electric shock or breakdown.
- **Do not install the Interface unit in places with direct sunlight or where the ambient temperature is 40°C or more or is 0°C or less.**
Direct sunlight and hot or low temperature environments may cause the Interface unit to deform or breakdown.
- **Do not use in special environments.**
Use in places with much oil (including machine oil), steam, or sulfuric gas may lead to severe decrease in functionality and damage to parts.
- **Turn off power supply of connected equipment when performing construction or wiring work.**
Failure to turn off the power supply of the connected equipment may lead to malfunction or breakdown of the Interface unit or connected equipment.

2. Before Installation

How to Use the SYSTEM CONTROL Interface.

■Functions

Connecting with M-NET system (Fig. 2-1)

The room air conditioner can be managed centralized or individually by the system controller using M-NET communications control.

Use as wired remote controller (Fig. 2-2)

You can use the MA remote controller as a wired remote controller.

Remote control (Fig. 2-3)

You can turn on and off an air conditioner from a remote location by connecting the ON/OFF contact point.

Status indicator output (Fig. 2-4)

Operation on/off and error/ok status can be output at the same time.

■Sample System Configuration

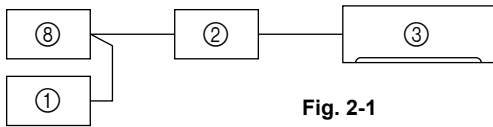


Fig. 2-1

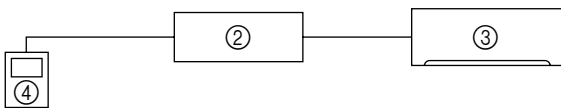


Fig. 2-2

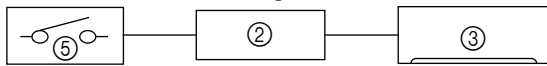


Fig. 2-3

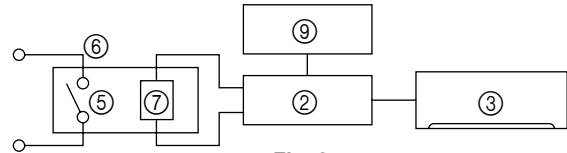
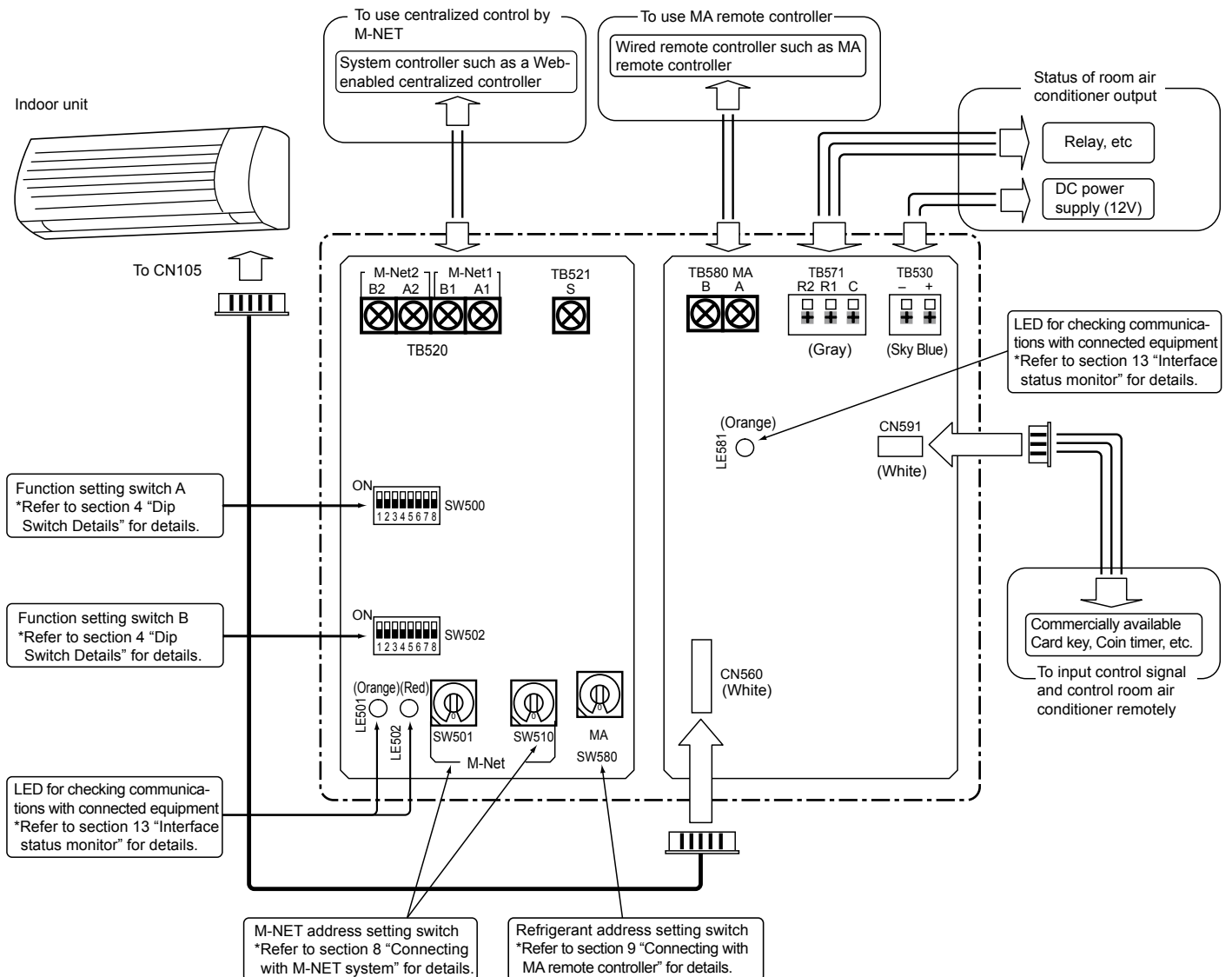


Fig. 2-4

- ① System controller, etc
- ② SYSTEM CONTROL Interface
- ③ Indoor Unit
- ④ MA remote controller
- ⑤ Contract point

- ⑥ Relay
- ⑦ Coil
- ⑧ Power supply unit for M-NET transmission line
- ⑨ External power supply for DC12V

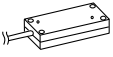


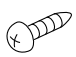


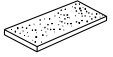
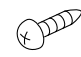
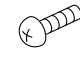

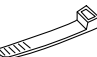
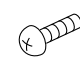
3. Function and electric wiring of interface each part



4. Dip Switch Details

Functions	SW No.	Functions	OFF (Factory setting)	ON	Refer to section	
Function setting SW A	SW500-1	Not in use	— (Set to OFF)	—	—	
	SW500-2	Turn on/off with power	Not available	Available	12	
	SW500-3	Room temperature detector	Indoor unit	MA remote controller	9	
	SW500-4	Not in use	— (Set to OFF)	—	—	
	SW500-5	Not in use	— (Set to OFF)	—	—	
	SW500-6	Not in use	— (Set to OFF)	—	—	
	SW500-7	Interface status display switching	LE501: Confirmation of communications with indoor unit LE502: Confirmation of communications with M-NET LE581: Confirmation of supplying power to MA remote controller	LE501: Confirmation of communications with MA remote controller LE502: Extinguished LE581: Confirmation of supplying power to MA remote controller	13	
	SW500-8	Not in use	— (Set to OFF)	—	—	
Function setting SW B	SW502-1	Output switching	DC12V output when running or in error	DC12V output when stopped or operating normally	11	
	SW502-2	Input mode	Level contact	Pulse contact	10	
	SW502-3	Setting of range of prohibited operations by contact point	M-NET system controller ON/OFF operation allowed	M-NET system controller ON/OFF operation prohibited	10	
	SW502-4	Input switching	Input mode when level contact	Running or operating the machine is prohibited by short circuiting the level contact	Running or operating machine is prohibited by level contact opening	10
			Input mode when pulse contact	ON/OFF is inverted by pressing pulse contact	ON or OFF no matter how many times pulse contact is pressed	
	SW502-5	Behavior when operation by contact point is prohibited	State before prohibition of operation by contact point	Air conditioner running stop	10	
	SW502-6	Behavior when prohibition of operation by contact point is canceled	State before canceling prohibition of operation by contact point	Running air conditioner	10	
	SW502-7	Not in use	— (Set to OFF)	—	—	
SW502-8	Not in use	— (Set to OFF)	—	—		

5. Parts

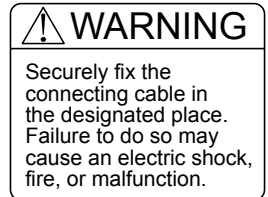
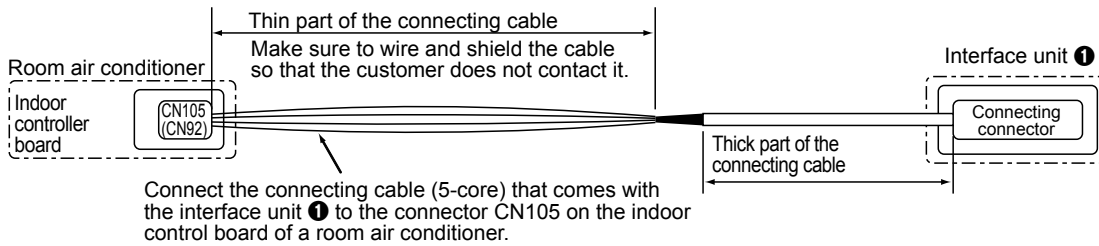
Accessory											
①	Interface unit [with connecting cable (5-core)]		1	⑤	Mounting cord clamps (medium)		4	⑨	Fasteners (for joining the wires)		5
②	Screws for mounting 3.5×12		2	⑥	Mounting cord clamps (large)		3	⑩	Lead wires (3-core)		1
③	Cushioning material (with adhesive)		1	⑦	Screws for mounting 3.5 × 12 ④, ⑤ and ⑥ (Use when attaching the clamps to the interface unit)		4	⑪	Screws for mounting 4 × 10 ⑤ (Use when fixing near the room air conditioner)		1
④	Mounting cord clamps (small)		2	⑧	Cable ties		9	⑫	Screws for mounting 4 × 16 ⑤ (Use when joining room air conditioner parts)		1

Item to be Prepare at the Installation Site	
Ⓐ	M-NET communication cable 2-core shield cables CVVS/CPEVS, 1.25mm ² or more.* • When cross-wired by same terminal box, 1.25mm ² is used. CPEVS: PE insulated PVC jacketed shielded communication cable CVVS: PVC insulated PVC jacketed shielded control cable PE: Polyethylene PVC: Polyvinyl chloride
Ⓑ	Remote control cable (for the connecting the ME Remote Controller) 2-core shield cables CVVS/CPEVS* • When the distance from the interface unit ① is less than 10m: 0.3mm ² or more.* • When the distance from the interface unit ① is not less than 10m: 1.25mm ² or more.*
Ⓒ	Remote control cable (for connecting the MA Remote Controller) 2-core sheath cable 0.3mm ² to 1.25mm ² *
Ⓓ	Signal cable (also used as extension cable) Sheath cable 0.3mm ² or more.* • When remote control: The extension cable of Lead cable ⑩ • When status signal output: The cable for relay connection, or cable for DC power
Ⓔ	Related parts sold separately Prepare the necessary number of parts sold separately as needed for your system.

* Please use cable with supplementary insulation.

6. Connecting the SYSTEM CONTROL Interface to a room air conditioner

- Connect the interface unit ❶ and the indoor control board of a room air conditioner using the connecting cable (5-core) that comes with the interface unit ❶.



- The connecting cable (5-core) connected to a room air conditioner should be wired according to the room air conditioner installation manual.

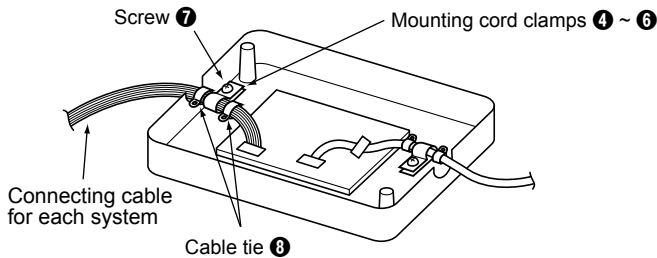
Notes

- Extending or shortening the connecting cable (5-core) that comes out of the interface unit ❶ cause it to malfunction. Also, keep the connecting cable (5-core) as far as possible away from the electrical wires and ground wire. Do not bundle them together.
- To prevent the board from being damaged by static electricity, always remove static electricity before starting work.

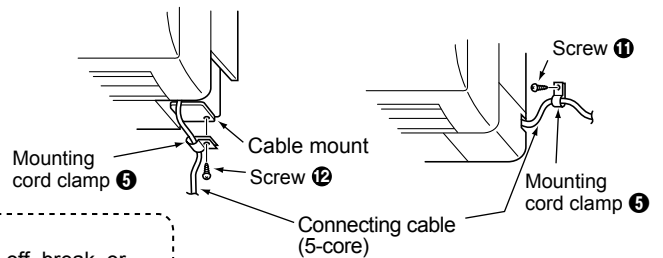
7. Connecting the SYSTEM CONTROL Interface with each system

(For details on each system, see the relevant instruction manual.)

- Screw the mounting cord clamp ❹ ~ ❻ according to the thickness of the connecting cable used for each system. Fasten the cable tie ❸ as shown in the figure to prevent undesirable movement of the connecting cable.
- The connecting cable (5-core) connected to a room air conditioner should be mounted at the room air conditioner or its vicinity.



If the screw for the cable mount of the room air conditioner cannot be used, replace with the screw for mounting ❿.



Notes

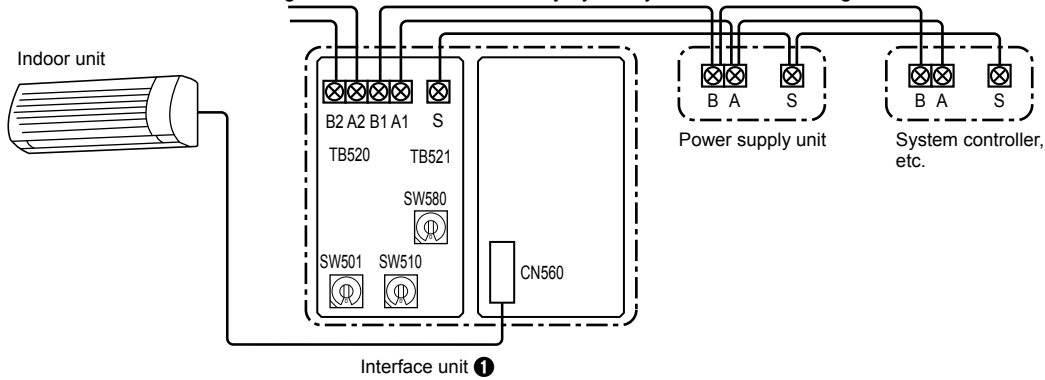
- If the connecting cable is not securely mounted, the connector may come off, break, or malfunction.
- The dip switch (SW500, SW502) and the rotary switch (SW501, SW510, SW580) on the interface unit ❶ do not operate if they are not set correctly.

- Conduct the settings of the interface unit ❶ dip switch (SW500, SW502) and rotary switch (SW501, SW510, SW580) before turning on the power.

8. Connecting with M-NET system

■ Connecting the SYSTEM CONTROL Interface to M-NET cable

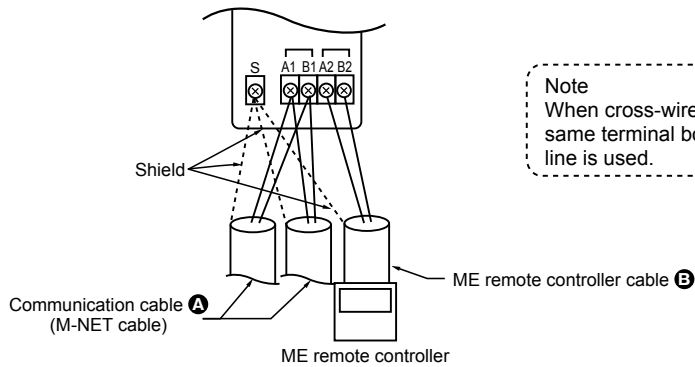
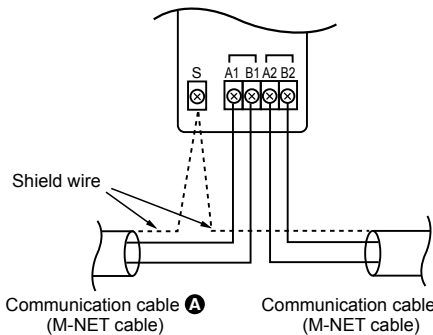
The room air conditioner can be managed centralized or individually by the system controller using M-NET communications control.



- To connect with the system controller and ME remote controller, connect the M-NET communication cable **A** or ME remote control cable **B** with TB520. (It is unpolarized.) Connect 2 core communication cable with A1/B1 or A2/B2. (There will be no problems with connecting to either one.)
- Cross the shield portion of each connecting cable using the S terminal only when cross wiring the connecting wire **A**.
- After wiring is complete, mount securely with any of mounting cord clamp **4** to **6**, and fix with cable tie **8** as shown in the figure.

When the communication cable **A** cross-wired.

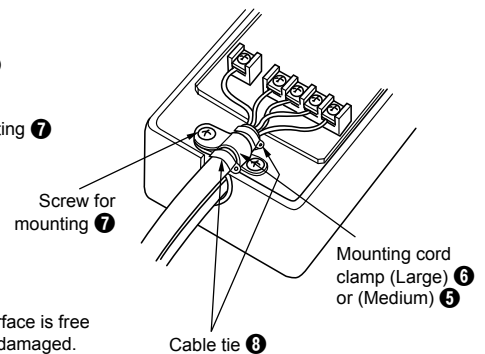
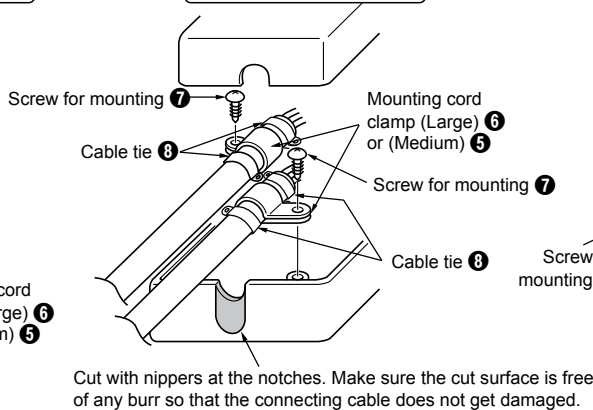
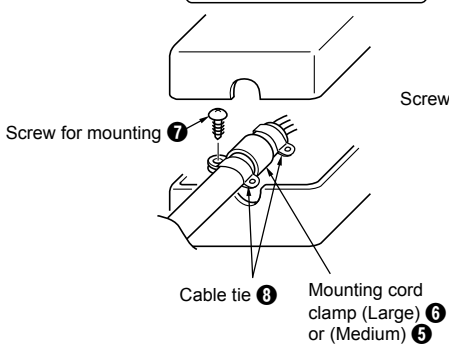
When the communication cable **A** are cross wired and ME remote controller is used



Note
When cross-wired by the same terminal box, a 1.25mm² line is used.

When the communication cable **A** is not cross wired.

When the communication cable **A** are cross wired.



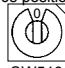
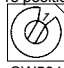

Cut with nippers at the notches. Make sure the cut surface is free of any burr so that the connecting cable does not get damaged.

* To prevent penetration by condensation, insects, etc., seal the opening well with putty.

Notes

- Electrical work should be performed in accordance with the Technical Standards Regarding Electrical Equipment and the Interior Wiring Standards.
- Connecting wires and remote control cables should be located as far away from other electrical wiring as possible. Placing them too closely together could cause a malfunction.
- To connect with the M-NET system and MA remote controller, connection is limited to only one unit of the MA remote controller.
- Do not put in the same group as City Multi or P series.
- Test run cannot be conducted from the ME remote controller or the system controller.

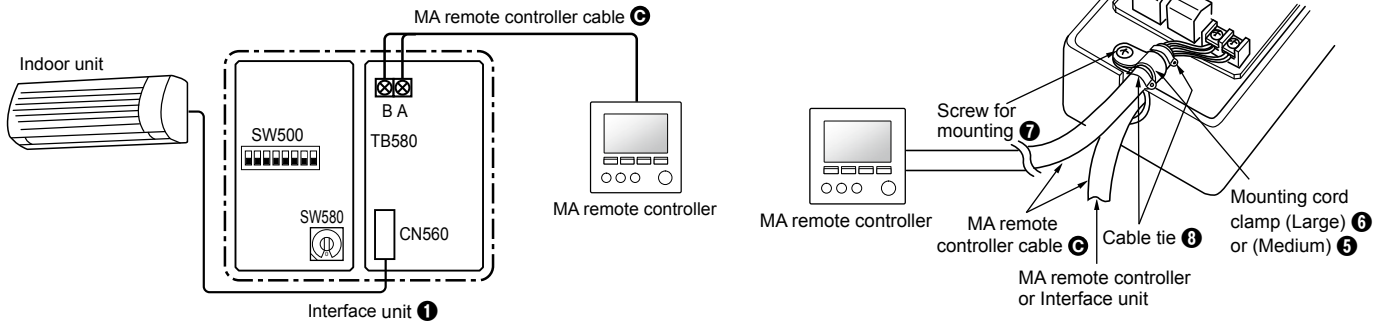
■ Setting when M-NET is connected

SW No.	Address	Comments
SW510 SW501	M-NET address 10s position 1s position   SW510 SW501	SW510 sets the 10s position of the address and SW501 sets the 1s position of the address. (Address setting can be set from 01 ~ 50.) For example, to set a unit to the address 25, set SW510 to "2" and SW501 to "5." * The figure to the left is for address 1.
SW580	Refrigerant address  SW580	When the MA remote controller is not used, set the refrigerant address (SW580) to "1."

9. Connecting with MA remote controller (Using MA remote controller)

■ Connecting the SYSTEM CONTROL Interface to MA remote controller

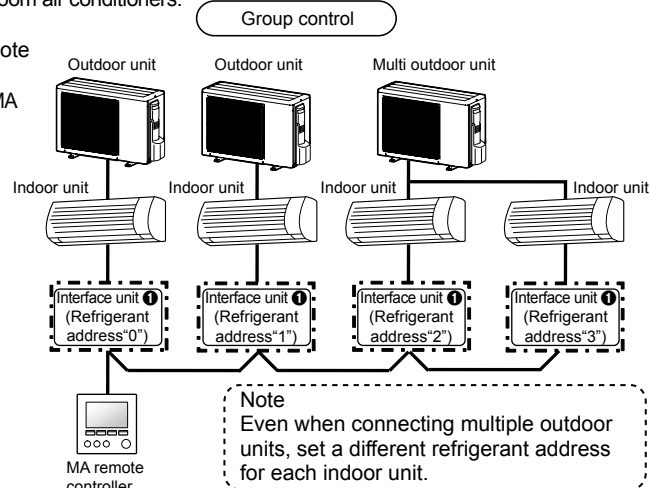
A room air conditioner can be operated with the wired remote control.



- To connect with the MA remote controller, connect the MA remote control cable (C) with TB580. (It is unpolarized.)
- When more than one unit of room air conditioner is operated in a group, make a cross wire connection at TB580 with the MA remote control cable (C).
- The MA remote controller can carry out simultaneous control of up to 16 sets of room air conditioners.
- Up to two MA controllers can be connected in one group.
- Wiring length from the interface at the refrigerant address "0" to the MA remote controller should be less than 10m.
- To operate the room air conditioner in a group, make the total length of wiring for the MA remote controller less than 50m.

Notes

- Be sure to set the "Auto Heating/Cooling Display Setting" of the MA remote controller OFF before use.
- * For details on the "Auto Heating/Cooling Display Setting", refer to the MA remote controller instruction manual.
- * When the "Auto Heating/Cooling Display Setting" is ON, the remote controller display may differ from the actual operating status of the unit.
- A test run cannot be initiated using the test run switch on the MA remote controller.
- Timer operation is set up from either wireless remote controller or MA remote controller.



■ Setting when MA remote controller is connected

● Setup of a refrigerant address

SW No.	Refrigerant address	Comments
SW580	Address can be set from 0 to 15 	<ul style="list-style-type: none"> • Set the refrigerant address of the unit that supplies electric power to the MA remote controller to "0." • When carrying out group operation of two or more room air conditioners, set different refrigerant addresses within the group. * A to F of the rotary switch correspond to refrigerant addresses 10 to 15.

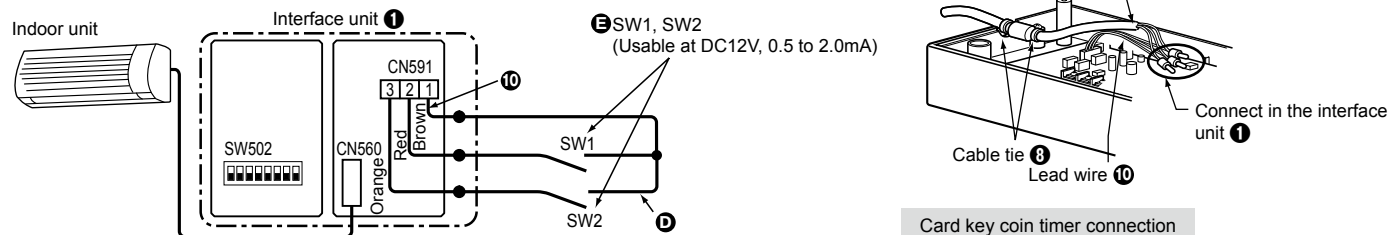
● Setup of Room temperature detector position

Functions	SW No.	Operating details
Room temperature detector position	SW500-3 	<p>OFF</p> <ul style="list-style-type: none"> • Temperature detected by suction temperature sensor of the unit is made to be room temperature. <p>ON</p> <ul style="list-style-type: none"> • Temperature detected by temperature sensor of the remote controller is made to be room temperature.

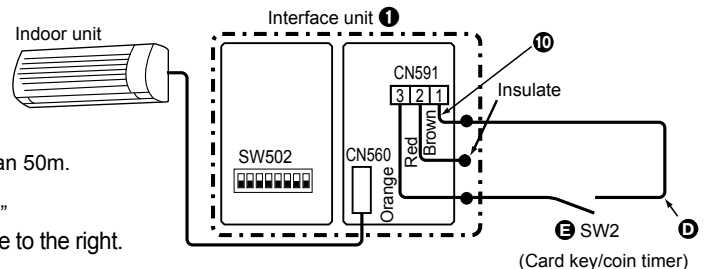
10. Remote Control

■ Connecting the SYSTEM CONTROL Interface

You can turn room air conditioner on/off or prohibit/allow manual operations with the ON/OFF switch.



- Connect CN591 with SW1 and SW2 as shown in figure above.
- Connect the supplied lead wire (3-core) (10) to the connector CN591 on the interface unit.
- Connect the supplied lead wire (3-core) (10) to the connecting cable (D) in the interface (1) as shown in the figure on the right side.
- Wiring length from the interface to the SW 1 and SW 2 should be less than 50m.
- Procure and wire locally the remote control part including the switches.
- For each connection pattern, refer to "Setting when using remote control."
- *When using a Card key/Coin timer, make connections shown in the figure to the right.



■ Setting when using remote control (Select one between No.1 through 4 and set.)

*Set No.1, No.5, and No.6 when using the card key/coin timer.

No.	Functions	SW No.	How to use	Operating details
1	ON/OFF Manual operation prohibited/allowed (Level Contact)	SW502-2~4 	 SW1: ON/OFF SW2: Manual operation prohibited/allowed	<ul style="list-style-type: none"> Unit is turned on when SW1 has a short-circuit, and off when open. (Regardless of the SW1 operation condition, the latest operation is prioritized.) When SW2 has a short-circuit, manual operation is prohibited,* and when open, manual operation is allowed. When SW502-4 is turned on, the opening and short-circuiting of SW1 and SW2 result in their operating in the opposite manner. *When manual operation is prohibited, ON/OFF operation of the wireless remote controller, the MA remote controller, and the ME remote controller is prohibited. (Operation from SW1 and M-NET system controller is possible.)
2	ON/OFF Manual operation prohibited/allowed (Pulse Contact)	SW502-2~4 	 SW1: ON/OFF SW2: Manual operation prohibited/allowed	<ul style="list-style-type: none"> Every time SW1 is pressed, ON/OFF is switched over. (Regardless of the SW1 operation condition, the latest operation is prioritized.) Every time SW2 is pressed, the manual operation prohibited*/the manual operation allowed is switched over. *When the manual operation is prohibited, ON/OFF operation of the wireless remote controller, the MA remote controller, and the ME remote controller is prohibited. (Operation from SW1 and M-NET system controller is possible.)
3	ON/OFF Remote operation/Manual operation (Level Contact)	SW502-2~4 	 SW1: ON/OFF SW2: Remote operation/Manual operation	<ul style="list-style-type: none"> Unit is turned on when SW1 has a short-circuit, and off when open. When SW2 has a short-circuit, only SW1 is enabled (remote operation)*, when open, only SW1 is disabled (manual operation). When SW502-4 is turned on, the opening and short-circuiting of SW1 and SW2 result in their operating in the opposite manner. *In remote operation, ON/OFF operation from the wireless remote controller, the MA remote controller, the ME remote controller, and the M-NET system controller cannot be used.
4	ON, OFF (Pulse Contact)	SW502-2~4 	 SW1: ON SW2: OFF	<ul style="list-style-type: none"> Unit is turned on no matter how many times SW1 is pressed. Unit is turned off no matter how many times SW2 is pressed. And regardless of the SW1, SW2 operation condition, the latest operation is prioritized. ON/OFF operation from the wireless remote controller, the ME remote controller, the MA remote controller, and the M-NET system controller is enabled.

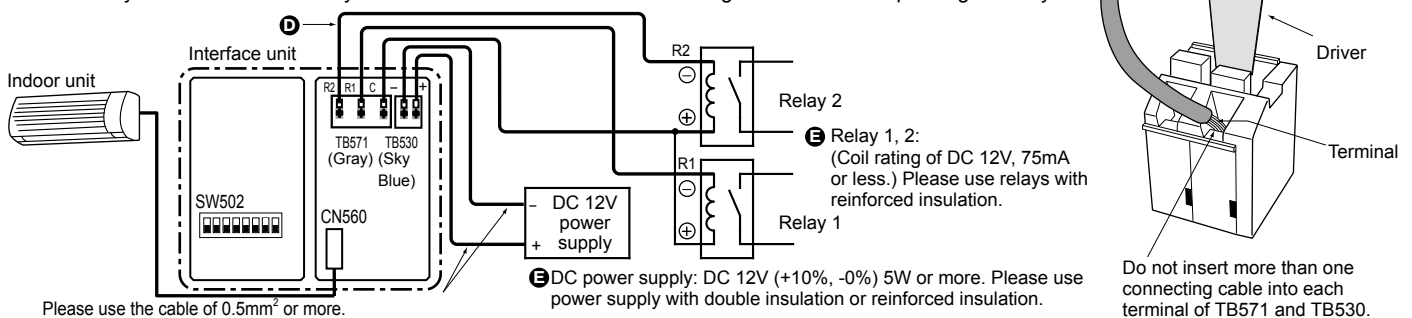
■ Setting operation (Valid only for No.1 and No.2. The following 2 functions can be used at the same time.)

No.	Functions	SW No.	How to use	Operating details
5	Behavior when operation is prohibited.	SW502-5 	Operational status of room air conditioner when manual operation is prohibited can be set.	<p>OFF</p> <ul style="list-style-type: none"> When manual operation is prohibited by SW2, operational status is maintained as that before manual operation is prohibited. <p>ON</p> <ul style="list-style-type: none"> When manual operation is prohibited by SW2, the room air conditioner turns off.
6	Behavior when prohibition of operation is canceled.	SW502-6 	Operational status of room air conditioner when prohibition of manual operation is canceled can be set.	<p>OFF</p> <ul style="list-style-type: none"> When prohibition of manual operation is canceled by SW2, operational status is maintained as that before cancellation. <p>ON</p> <ul style="list-style-type: none"> When prohibition of manual operation is canceled by SW2, the room air conditioner turns on.

11. Setting Signal Output

■ Connecting the SYSTEM CONTROL Interface

External relays can be turned on/off synchronized with room air conditioner being on/off or in error/operating normally.



Notes

- Connecting terminal TB530 for power supply is polarized, so confirm proper polarity of the terminals before connecting.
- Do not connect DC12V from the DC power supply to TB571.
- Confirm polarity when using a diode built-in relay. C of TB571 is electropositive potential ⊕, and R1 and R2 are negative potential ⊖.
- For TB571 and TB530, insert wiring after inserting the flathead screwdriver into the terminal.
- Appropriate electric wire for TB571 and TB530 is as follows. Stranded wire: 0.3mm² Solid wire: ø0.4mm to ø1.2mm
- Peeling dimension of the electric wire for TB571 and TB530 is 7mm to 10mm.
- Wiring length from the interface to Relay 1 and Relay 2 should be less than 50m.

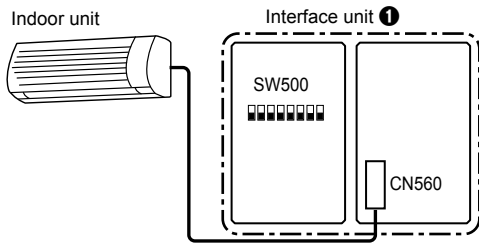
■ Setting when using Status Signal Output

Functions	SW No.	Operating details
Status signal output	SW502-1 	<p>OFF</p> <ul style="list-style-type: none"> Relay 1 is on when room air conditioner is on, and off when room air conditioner is off. Relay 2 is on when room air conditioner is in error, and off when room air conditioner is operating normally. <p>ON</p> <ul style="list-style-type: none"> Relay 1 and 2 behavior are opposite of those above.

12. Turn on/off with power

The room air conditioner turns on when power is supplied.

- When using for the first time, set to the operational status of your choice with the remote controller and leave the power off for 1 minute.
- * When not used for a long period of time, you should set to the operational status of your choice again with the remote controller.



Notes

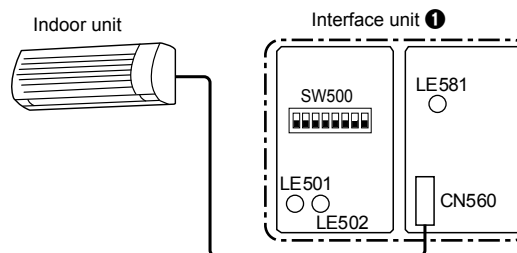
- The turn on/off with power function cannot be used when connected to multiple outdoor units.
- When starting two or more room air conditioners by using the turn on/off with power function, make the system so they do not recover simultaneously. (To avoid inrush current, start sequentially.)

Setting when using Turn on/off with power

Functions	SW No.	Operating details
Turn on/off with power	<p>SW500-2</p>	<p>OFF</p> <ul style="list-style-type: none"> • After the power is supplied, the room air conditioner resumes working in the previous running condition. When AUTO RESTART FUNCTION is not set to the room air conditioner, it remains off. <p>ON</p> <ul style="list-style-type: none"> • The room air conditioner turns on when power is supplied.

13. Interface status monitor

You can check the status of the interface unit by the LED lamp on the interface unit board.



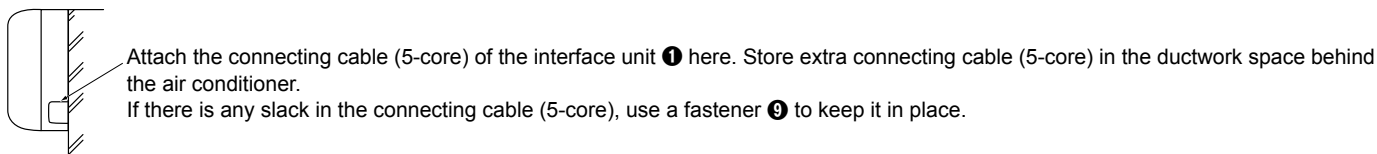
- Use the table below to check communications. If communications cannot be carried out normally, check that the relevant communications line is not disconnected from the connector or terminal box.

Functions	SW No.	Operating details
Interface status monitor	<p>SW500-7</p>	<p>OFF</p> <ul style="list-style-type: none"> • LE501 (Orange): When blinking at an interval of about 1 second, the Interface unit is communicating normally with the room air conditioner. When the lamp is off, the Interface unit is not communicating normally with the room air conditioner. • LE502 (Red): When blinking at an interval of about 1 minute, the Interface unit is communicating normally with the M-NET controller. When the lamp is off, the Interface unit is not communicating normally with the M-NET controller. <p>ON</p> <ul style="list-style-type: none"> • LE501 (Orange): When blinking at an interval of about 10 second, the Interface unit is communicating normally with the MA remote controller. When the lamp is off, the Interface unit is not communicating normally with the MA remote controller. • LE502 (Red): Extinguished * LE581 (Orange) displays the following status irrespective whether SW500-7 is on or off. • When lit, power is supplied to the MA remote controller from the Interface unit ①. When extinguished, power is not supplied.

14. Mounting the SYSTEM CONTROL Interface Unit

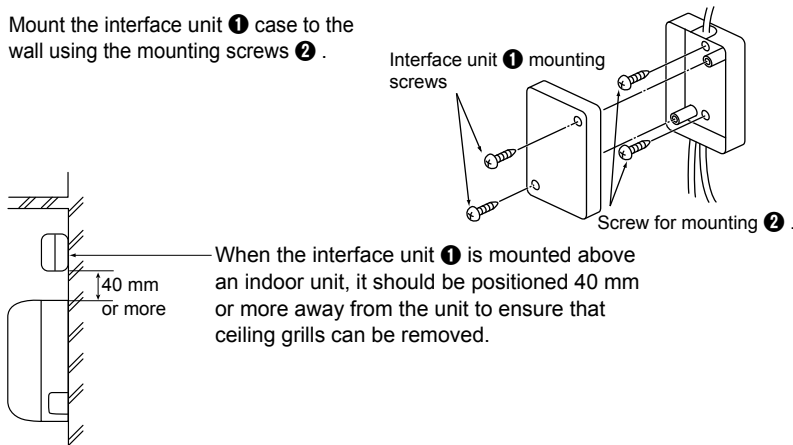
Notes

- The Interface unit should be placed in a location where the connecting cable (5-core) from the interface unit can reach an indoor unit.
- The device will not function properly the connecting cable is extended, so the connecting cable (5-core) should no be extended.
- Mount the interface unit securely to a pillar or wall using 2 or more screws.



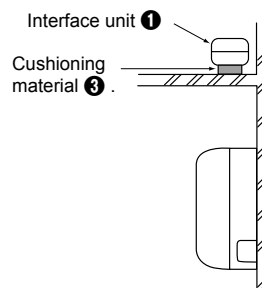
■ When Mounting Directly to a Wall

Mount the interface unit ❶ case to the wall using the mounting screws ❷.



■ When mounting the interface unit inside a ceiling

When mounting the interface unit ❶ inside a ceiling or wall, install an access door to facilitate maintenance.



* When mounting the interface unit ❶ using a cushioning material ❸, be sure to mount it in a location where it will not fall.

15. Notes Regarding Use

The following control information should be thoroughly explained and provided to the users of this device. (Please provide these instructions to the user once the installation is complete.)

This Interface unit ❶ operates room air conditioners using the controls of a City-Multi or P series, but there are several limitations imposed as a result of the functional differences between room air conditioners and packaged air conditioners.

1. When operating the system using a System Controller, MA Remote Controller, or ME Remote Controller these operations will not appear on the display of the wireless remote controller.
2. When original dehumidification mode is set with the remote controller attached to the room air conditioner, "Dry" is displayed because there is no mode corresponding to dehumidification on the MA remote controller, ME remote controller, and the system controller.
3. Because the temperature range of the room air conditioners is broader than a System Controller, ME Remote Controller, or ME Remote Controller, when the room air conditioners is set to lower than 17°C or higher than 30°C, the temperature display on the a System Controller, MA Remote Controller, or ME Remote Controller will show the minimum or maximum temperature that can be set. (For example, even if the room air conditioner is set to cool a room to 16°C, the display on a System Controller, MA Remote controller, or ME Remote Controller may read "17°C").
4. Timer operations should be set using only the remote controller that came with the room air conditioners or the a System Controller, MA Remote Controller, or ME Remote Controller. If both are used to set the timer to the same time, the timer will not function properly.
5. When "Manual operation prohibited" (ON/OFF, setting temperature, operation mode) is set with the system controller, the corresponding operation by the remote controller attached to the room air conditioner is not accepted, but allowed operation is reflected. A beep sounds during operation to confirm reception.
6. A part of functions including the operation of horizontal air blow direction cannot be used from the ME remote controller, the system controller, and the MA remote controller.

16. Specifications

Indoor unit side	Input voltage	12V $\overline{\text{---}}$
	Power consumption	1.8W
	Input current	0.15A
Power supply unit side	Input voltage	12V $\overline{\text{---}}$
	Power consumption	4.8W
	Input current	0.4A

This product is designed and intended for use in the residential, commercial and light-industrial environment.

The product at hand is based on the following EU regulations:

- Low Voltage Directive 2006/95/EC
- Electromagnetic Compatibility Directive 2004/108/EC

mitsubishi electric corporation

HEAD OFFICE: TOKYO BLDG., 2-7-3, MARUNOUCHI, CHIYODA-KU, TOKYO 100-8310, JAPAN
AUTHORIZED REPRESENTATIVE IN EU:
mitsubishi electric europe b.v.
HARMAN HOUSE, 1 GEORGE STREET, UXBRIDGE, MIDDLESEX UB8 1QQ, U.K.
