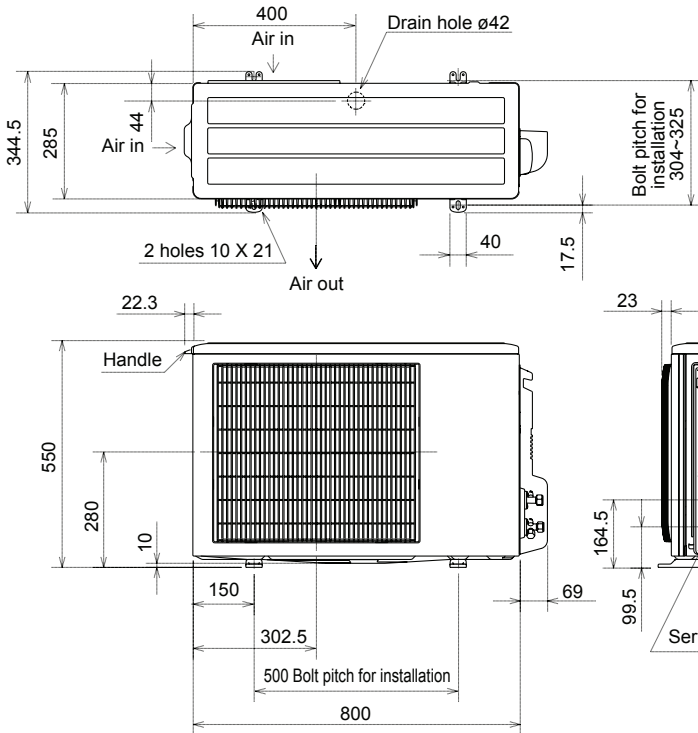


5

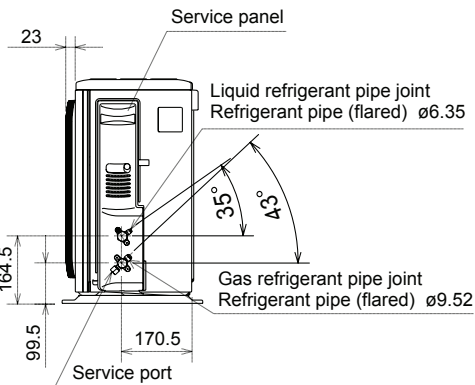
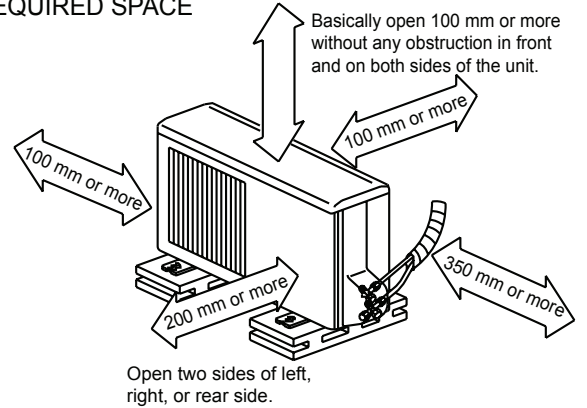
OUTLINES AND DIMENSIONS

MUZ-GE25VA MUZ-GE25VAD MUZ-GE33VA
 MUZ-GE35VA MUZ-GE35VA2 MUZ-GE35VAD MUZ-GE42VA MUZ-GE42VAD

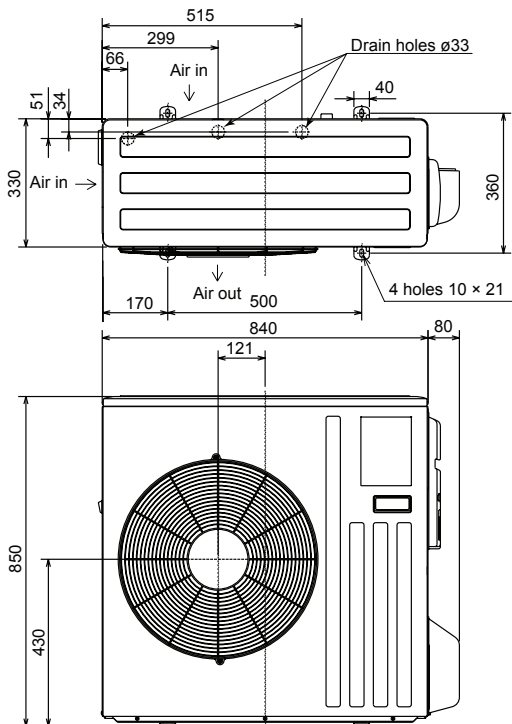
Unit: mm



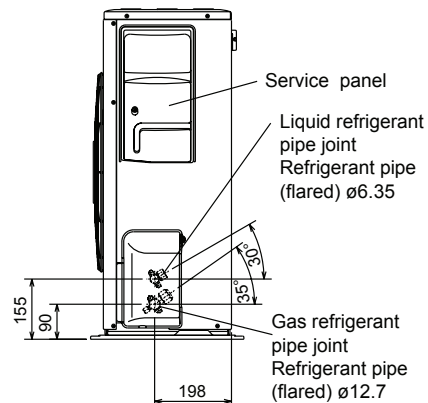
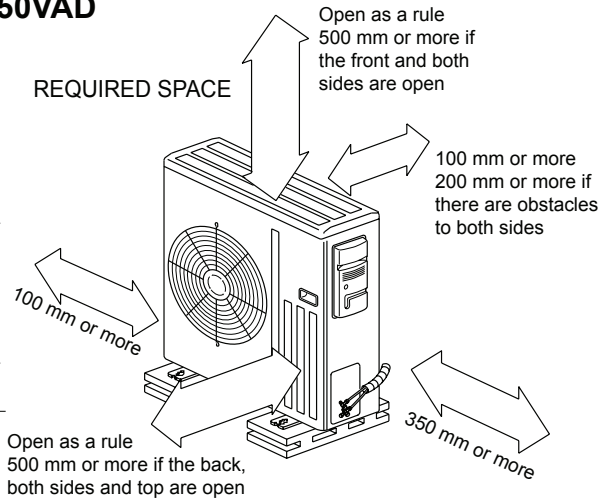
REQUIRED SPACE



MUZ-GE50VA MUZ-GE50VA2 MUZ-GE50VAD



REQUIRED SPACE



MUZ-GE60VA MUZ-GE60VAD MUZ-GE71VA MUZ-GE71VAD
MUZ-GE80VA MUZ-GE80VA2 MUZ-GE80VAD

Unit: mm

